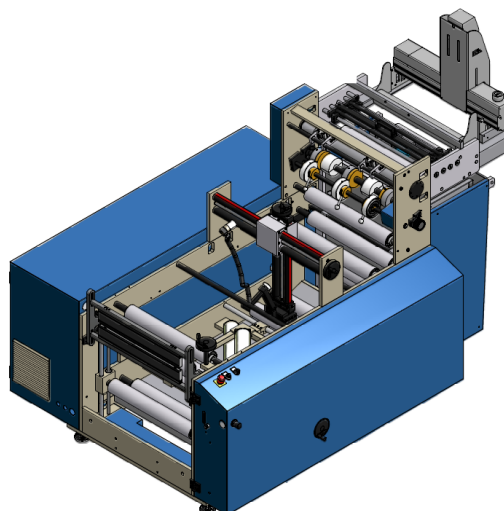


NEW Double Module PSM 520

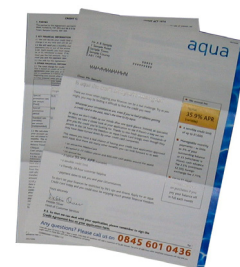
Plow Fold Station + Split & Merge Module

with vacuum buffer & in-feed system for in-line and off-line production



Split & Merge Production:

- Station for conducting two (optionally more) webs under web tension with register accuracy
- You can use it to double the web of one-sided printed or personalized webs, even at maximum speed (i.e. mailings, statement printing etc.)
- Lengthwise & crosswise register
- Redirection of the web airbag supported with integrated blower
- Static fixation STC necessary for production with chip-out
- Both productions: pin less/pin feed possible
- LCUM (length cut unit for dividing the web + side trim) integrated
- Optional: gutter cut (min. 4 mm) in running direction



Plow Fold Production:

- The plow fold is adjustable within 5 degrees of freedom to achieve maximum folding accuracy (also with sensitive papers)
- The unit is equipped with four adjustable folding assistance tools
- The fold head may be turned by 180°, so that you can fold on operation side as well as gear side
- Integrated motorized LCS length cutting station for the side trim of the web
- Optionally there are also fold heads available which can be turned (180°) to allow them to fold upwards as well as downwards - this feature is mainly used in the second plow fold unit to be able to produce C-folds as well as Z-folds (PFS T-Model)
- Optional: second plow fold head for two-up production
- Optional: ALP additional length perforation
- Optional: motorized folding head adjustment

*Folding in length direction
at full speed!
No more 90°-jobs!
For i. e. 4-pagers,
8- or 16- pagers,
or (book) signatures!*

Specifications:

- | | |
|--------------------------------|-----------------------------|
| ■ max. production speed: | 300 m/min |
| ■ max. web width: | 520 mm |
| ■ min. web width: | 150 mm |
| ■ max. superimposing distance: | 300 mm |
| ■ min. superimposing distance: | 0 mm |
| ■ paper quality split & merge: | 36 - 250 gr./m ² |
| ■ paper quality plow folder: | 36 - 160 gr./m ² |
| ■ folding accuracy: | ± 0.3 mm |
| ■ max. folding width: | = half web |
| ■ min. folding width: | = 20 mm |

© 2008 by EHRET Control
Technische Änderungen vorbehalten

